

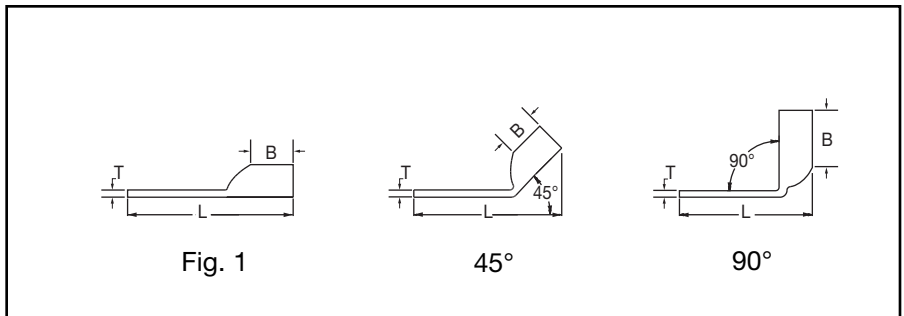
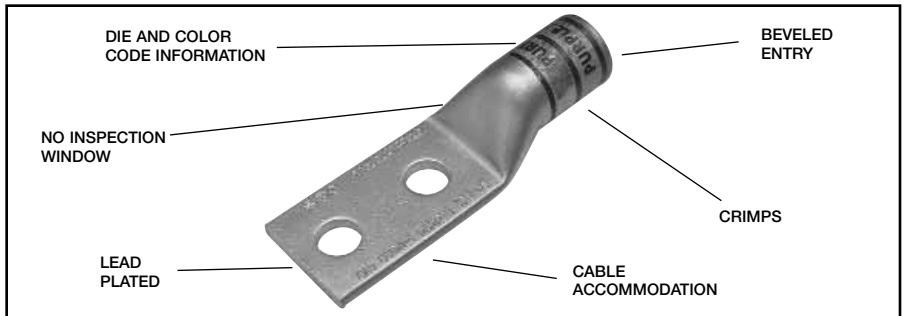
**TWO HOLE HYLUG™
FLEX CONDUCTOR
STANDARD BARREL
LEAD PLATED**

TYPE YAG-L-2TC-LD

**COPPER COMPRESSION
TERMINAL**

UL Listed 90° C,
600 Volts to 35 kV ◆

45° and 90° angles are available.
Please contact Customer Service to order:
1-800-346-4175



Catalog Number	Fig #	Conductor		Stud Hole Size	Stud Hole Spacing	Tongue Width	Figure Dimensions			Dieless (# of crimps)	▲ Installation Tooling					Wire Strip Length	
		AWG	MM²				(B)	(T)	(L)		Mechanical		Hydraulic		Color Code		Die Index
											MD6, OUR840, MD7-34R	BCT500HS, Y500GTHS	Y35, Y39, Y750, Y46*, PAT750				
YAG8CL-2TC14-LD	1			1/4"	5/8"	.41"	.44"	.08"	1.95"	MRC840 (1) MY29-3 (1)	W8CVT	W8CVT	U8CRT	Red	49	1/2"	
YAG8CL-2TC38-LD	1	#8 Weld 37/24	**	3/8"	1"	.57"	.44"	.06"	2.52"	MY29-11 (1) Y8MRB-1 (1) Y1MRTC (1) Y81KFT (1)	W8CVT (1)	W8CVT (1)	U8CRT (1)	Red	49	7/16"	
YAG8CL-2TC10-LD	1	#8 AWG	10	#10	5/8"	.41"	.44"	.08"	1.84"	Y81KFTMBH (1) PAT81KFT-18V (1)	W8CVT (1) W8CRT (1) X8CRT (1)	W8CVT (1) W8CRT (1) X8CRT (1)	U8CRT (1)	Red	49	7/16"	
YAG8CL-2TC14E1-LD	1			1/4"	1"	.44"	.44"	.08"	2.33"								
YAG8CL-2TC14E2-LD	1			1/4"	3/4"	.44"	.44"	.08"	2.08"								
YAG6CL-2TC10-LD	1			#10	5/8"	.44"	.44"	.07"	1.94"								
YAG6CL-2TC10E2-LD	1			#10	3/4"	.48"	.50"	.08"	2.06"								
YAG6CL-2TC10E4-LD	1			#10	11/16"	.44"	.50"	.07"	2.00"								
YAG6CL-2TC10E-LD	1			#10	1/2"	.48"	.50"	.08"	1.81"								
YAG6CL-2TC14-LD	1	#6 Weld 61/24	**	1/4"	5/8"	.48"	.50"	.08"	2.06"	MY29-11 (1) Y1MRTC (1) Y81KFT (1)	W5CVT (1) W5CRT (1)	W5CVT (1) W5CRT (1)	U5CRT (1)	Blue	7	1/2"	
YAG6CL-2TC14E1-LD	1	#6 AWG	16	1/4"	1"	.48"	.50"	.08"	2.44"	Y81KFTMBH (1) PAT81KFT-18V (1)	W5CRT (1) X5CRT (1)	W5CRT (1) X5CRT (1)	U5CRT (1)	Blue	7	1/2"	
YAG6CL-2TC14E2-LD	1			1/4"	3/4"	.48"	.50"	.08"	2.18"								
YAG6CL-2TC516-LD	1			5/16"	1"	.52"	.50"	.07"	2.50"								
YAG6CL-2TC38-LD	1			3/8"	1"	.58"	.50"	.06"	2.62"								
YAG6CL-2NTC-LD	1			1/2"	1-3/4"	.83"	.50"	.12"	3.81"								
YAG4CL-2NT10-LD	1			#10	5/8"	.41"	.50"	.09"	1.99"								
YAG4CL-2NT10E1-LD	1			#10	1"	.41"	.50"	.09"	2.37"								
YAG4CL-2TC14-LD	1	#4 Weld		1/4"	5/8"	.55"	.50"	.09"	2.11"								
YAG4CL-2TC14E2-LD	1	91/24		1/4"	3/4"	.55"	.50"	.09"	2.24"								
YAG4CL-2TC14E1-LD	1	105/24		1/4"	1"	.55"	.50"	.09"	2.49"	MY29-11 (1) Y1MRTC (2)	W4CVT (1) W4CRT (1) X4CRT (1)	W4CVT (1) W4CRT (1) X4CRT (1)	U4CRT (1)	Gray	8	1/2"	
YAG4CL-2TC38-LD	1	#4 AWG		3/8"	1"	.58"	.50"	.08"	2.68"	Y81KFT (1)							
YAG4CL-2TC516-LD	1			5/16"	1"	.55"	.50"	.09"	2.56"	Y81KFTMBH (1)							
YAG4CL-2NTC-LD	1			1/2"	1-3/4"	.83"	.50"	.12"	3.87"	PAT81KFT-18V (1)							
YAG2CL-2TC14-LD	1	#2 Weld		1/4"	5/8"	.68"	.63"	.10"	2.28"								
YAG2CL-2TC14E1-LD	1	125/24		1/4"	1"	.68"	.63"	.10"	2.63"		W2CVT (1) W2CRT (1) X2CRT (1)	W2CVT (1) W2CRT (1) X2CRT (1)	U2CRT (1)	Brown	10	11/16"	
YAG2CL-2TC14E2-LD	1	150/24		1/4"	3/4"	.68"	.63"	.10"	2.40"								
YAG2CL-2TC38-LD	1	#2 AWG		3/8"	1"	.68"	.63"	.10"	2.84"								

* Use PUADP-1 adapter with U dies in Y46 Hypress™.
** The MM² conductor size referenced here is for both Class 2 and Class 5 conductor.

*** The MM² conductor sizes listed are the recommendations for Class 5 conductor.
◆ For applications greater than 2000 Volts consult cable manufacturer for voltage stress relief instructions.

Note: All dimensions shown are for reference only.

Blue highlighted items are industry standard and most frequently ordered.

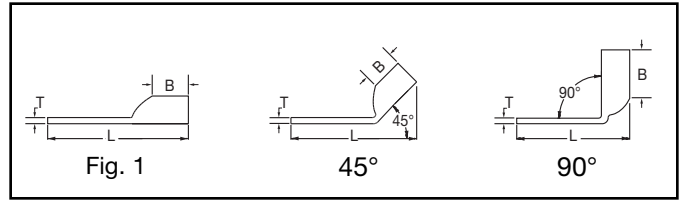
Compression Connections

BURNDY®

Copper Compression – Flex – Lead Plated – No Inspection Window

C-72

TWO HOLE HYLUG™ FLEX CONDUCTOR STANDARD BARREL LEAD PLATED (Continued)



UL Listed 90° C,
600 Volts to 35 kV ◆

45° and 90° angles are available.
Please contact Customer Service to order:
1-800-346-4175



Catalog Number	Fig #	Conductor		Stud Hole Size	Stud Hole Spacing	Tongue Width	Figure Dimensions			Dieless (# of crimps)	▲ Installation Tooling				Wire Strip Length								
		AWG	MM²				(B)	(T)	(L)		Mechanical MD6, OUR840, MD7-34R	Hydraulic		Color Code		Die Index							
												BCT500HS, Y500CTHS	Y35, Y39, Y750, Y46*, PAT750										
YAG2CL-2TC516-LD	1	#2 Weld 125/24	35	5/16"	1"	.68"	.63"	.10"	2.71"	MY29-11 (1) Y1MRTC (2) Y81KFT (1) Y81KFTMBH (1) PAT81KFT-18V (1)	W2CVT (1) W2CRT (1) X2CRT (1)	W2CVT (1) W2CRT (1) X2CRT (1)	U2CRT (1)	Brown	10	11/16"							
YAG2CL-2NTC-LD	1	150/24 #2 AWG		1/2"	1-3/4"	.83"	.63"	.08"	4.03"														
YAG1CL-2TC14-LD	1	#1 Weld 175/24	—	1/4"	5/8"	.75"	.69"	.12"	2.37"	MY29-11 (1) Y81KFT (1) Y81KFTMBH (1) PAT81KFT-18V (1)	W1CVT (1) W1CRT-1 (1) X1CRT-1 (1)	W1CVT (1) W1CRT-1 (1) X1CRT-1 (1)	U1CRT-1 (1)	Green	11	11/16"							
YAG1CL-2TC14E2-LD	1			1/4"	3/4"	.75"	.69"	.12"	2.49"														
YAG1CL-2TC14E1-LD	1			1/4"	1"	.75"	.69"	.12"	2.73"														
YAG1CL-2TC516-LD	1			5/16"	1"	.75"	.69"	.12"	2.81"														
YAG1CL-2TC38-LD	1			3/8"	1"	.75"	.69"	.12"	2.93"														
YAG1CL-2NTC-LD	1			1/2"	1-3/4"	.83"	.69"	.11"	4.12"														
YAG25L-2TC14-LD	1	1/0 Weld 275/24	50	1/4"	5/8"	.83"	.69"	.12"	2.41"	MY29-11 (1) Y81KFT (1) Y81KFTMBH (1) PAT81KFT-18V (1)	W25VT (2) W25RT (2) X25RT (2)	W25VT (2) W25RT (2) X25RT (2)	U25RT (1)	Pink	12	11/16"							
YAG25L-2TC14E2-LD	1			1/4"	3/4"	.83"	.69"	.12"	2.53"														
YAG25L-2TC516E2-LD	1			5/16"	3/4"	.83"	.69"	.12"	2.60"														
YAG25L-2TC516-LD	1			5/16"	1"	.83"	.69"	.12"	2.85"														
YAG25L-2TC38-LD	1			3/8"	1"	.83"	.69"	.12"	2.97"														
YAG25L-2NTC-LD	1			1/2"	1-3/4"	.83"	.69"	.12"	4.16"														
YAG25L-2TC12E1-LD	1	1/2"	1"	.83"	.69"	.12"	3.22"																
YAG26L-2TC14-LD	1	2/0 Weld 325/24	70	1/4"	5/8"	.93"	.81"	.13"	2.58"	MY29-11 (1) Y644HS (1) Y81KFT (1) Y81KFTMBH (1) PAT81KFT-18V (1)	W26RT (2) W26VT (2) X26RT (2)	W26RT (2) W26VT (2) X26RT (2)	U26RT (1)	Black	13	13/16"							
YAG26L-2TC14E2-LD	1			1/4"	3/4"	.93"	.81"	.13"	2.71"														
YAG26L-2TC516-LD	1			5/16"	1"	.93"	.81"	.13"	3.02"														
YAG26L-2TC38-LD	1			3/8"	1"	.93"	.81"	.13"	3.14"														
YAG26L-2NTC-LD	1			1/2"	1-3/4"	.93"	.81"	.13"	4.33"														
YAG27L-2TC14-LD	1			1/4"	5/8"	1.03"	1.00"	.14"	2.81"														
YAG27L-2TC14E2-LD	1	1/4"	3/4"	1.03"	1.00"	.14"	2.94"																
YAG27L-2TC516-LD	1	3/0 Weld 450/24	95	5/16"	1"	1.03"	1.00"	.14"	3.25"	MY29-11 (1) Y644HS (1) Y81KFT (1) Y81KFTMBH (1) PAT81KFT-18V (1)	W27VT (2) W27RT (2) X27RT (3)	W27VT (2) W27RT (2) X27RT (3)	U27RT (1)	Orange	14	1"							
YAG27L-2TC38-LD	1	3/8"		1"	1.03"	1.00"	.14"	3.38"															
YAG27L-2NTC-LD	1	1/2"		1-3/4"	1.03"	1.00"	.14"	4.56"															
YAG28L-2TC14-LD	1	1/4"		5/8"	1.14"	1.03"	.15"	2.90"															
YAG28L-2TC14E2-LD	1	1/4"		3/4"	1.14"	1.03"	.15"	3.02"															
YAG28L-2TC516-LD	1	4/0 Weld 550/24		120	5/16"	1"	1.14"	1.03"	.15"								3.33"	Y644HS (1) Y81KFT (1) Y81KFTMBH (1) PAT81KFT-18V (1)	W28VT (2) W28RT (2) X28RT (3)	W28VT (2) W28RT (2) X28RT (3)	U28RT (1)	Purple	15
YAG28L-2TC38-LD	1	3/8"	1"		1.14"	1.03"	.15"	3.46"															
YAG28L-2NT38-LD	1	3/8"	1"		.94"	1.03"	.17"	3.48"															
YAG28L-2TC12E1-LD	1	1/2"	1"		1.14"	1.03"	.17"	3.71"															
YAG28L-2TC12-LD	1	1/2"	1-1/4"		1.14"	1.03"	.17"	3.96"															
YAG28L-2NTC-LD	1	1/2"	1-3/4"		1.14"	1.03"	.15"	4.65"															
YAG29L-2TC14-LD	1	4/0 Weld 550/24	—	1/4"	5/8"	1.14"	1.03"	.16"	2.90"	Y644HS (1) Y81KFT (1) Y81KFTMBH (1) PAT81KFT-18V (1)	W29VT (2) X29RT (4)	W29VT (2) W29RT (2) X29RT (4)	U29RT (1)	Yellow	16	1-1/16"							
YAG29L-2TC14E2-LD	1			1/4"	3/4"	1.14"	1.03"	.16"	3.02"														
YAG29L-2TC516-LD	1			5/16"	1"	1.14"	1.03"	.16"	3.33"														
YAG29L-2TC38-LD	1			3/8"	1"	1.14"	1.03"	.16"	3.46"														
YAG29L-2TC38-LD	1			3/8"	1"	.94"	1.03"	.16"	3.48"														
YAG29L-2NT38-LD	1			3/8"	1"	.94"	1.03"	.16"	3.48"														

* Use PUADP-1 adapter with U dies in Y46 Hypress™.
** The 16 MM² referenced here is for both Class 2 and Class 5 conductor.

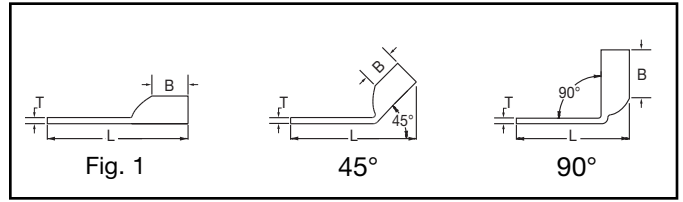
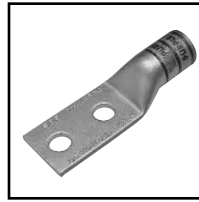
*** The MM² conductor sizes listed are the recommendations for Class 5 conductor.

◆ For applications greater than 2000 Volts consult cable manufacturer for voltage stress relief instructions.
Note: All dimensions shown are for reference only.

Blue highlighted items are industry standard and most frequently ordered.

**TWO HOLE HYLUG™
FLEX CONDUCTOR
STANDARD BARREL
LEAD PLATED
(Continued)**

UL Listed 90° C,
600 Volts to 35 kV ◆



45° and 90° angles are available.
Please contact Customer Service to order:
1-800-346-4175



Catalog Number	Fig #	Conductor		Stud Hole Size	Stud Hole Spacing	Tongue Width	Figure Dimensions			Dieless (# of crimps)	▲ Installation Tooling					Wire Strip Length
		AWG	MM²				(B)	(T)	(L)		Mechanical MD6, OUR840, MD7-34R	Hydraulic		Color Code	Die Index	
												BCT500HS, Y500GTHS	Y35, Y39, Y750, Y46*, PAT750			
YAG29L-2TC12E1-LD	1	4/0 Weld 550/24	—	1/2"	1"	1.14"	1.03"	.16"	3.71"	Y644HS (1) Y81KFT (1) Y81KFTMBH (1) PAT81KFT-18V (1)	W29VT (2) X29RT (4)	W29VT (2) W29RT (2) X29RT (4)	U29RT (1)	Yellow	16	1-1/16"
YAG29L-2TC12-LD	1			1/2"	1-1/4"	1.14"	1.03"	.16"	3.96"							
YAG29L-2NTC-LD	1			1/2"	1-3/4"	1.14"	1.03"	.16"	4.65"							
YAG30L-2TC38-LD	1	250 kcmil CLASS G 259 Str. CLASS H 427 Str.	—	3/8"	1"	1.20"	1.03"	.16"	3.48"							
YAG30L-2TC12-LD	1			1/2"	1-1/4"	1.20"	1.03"	.16"	3.98"							
YAG30L-2NTC-LD	1			1/2"	1-3/4"	1.20"	1.03"	.16"	4.67"							
YAG31L-2TC38-LD	1	250 Weld 637/24 CLASS I,K,M	150	3/8"	1"	1.29"	1.06"	.18"	3.54"							
YAG31L-2NTC38-LD	1			3/8"	1-3/4"	1.29"	1.06"	.18"	4.30"							
YAG31L-2TC12-LD	1			1/2"	1-1/4"	1.29"	1.06"	.18"	4.04"							
YAG31L-2NTC-LD	1	1/2"	1-3/4"	1.29"	1.06"	.18"	4.73"									
YAG32L-2TC38-LD	1	775/24 313.1 kcmil	185	3/8"	1"	1.40"	1.19"	.19"	3.73"							
YAG32L-2NTC-LD	1			1/2"	1-3/4"	1.40"	1.19"	.19"	4.91"							
YAG34L-2TC516-LD	1	373.7 kcmil 925/24 350 kcmil CLASS I	240	5/16"	1"	1.55"	1.27"	.23"	3.79"							
YAG34L-2TC38-LD	1			3/8"	1"	1.55"	1.27"	.23"	3.92"							
YAG34L-2NT38-LD	1			3/8"	1-3/4"	.96"	1.27"	.23"	4.67"							
YAG34L-2TC12-LD	1			1/2"	1-1/4"	1.55"	1.27"	.23"	4.42"							
YAG34L-2NTC-LD	1	1/2"	1-3/4"	1.55"	1.27"	.23"	5.11"									
YAG36L-2TC38-LD	1	1100/24 444.4 kcmil	—	3/8"	1"	1.73"	1.38"	.27"	4.28"							
YAG36L-2NTC-LD	1			1/2"	1-3/4"	1.73"	1.38"	.27"	5.28"							
YAG38L-2TC516-LD	1	535.3 kcmil 1325/24 500 kcmil CLASS I	300	5/16"	1"	1.82"	1.45"	.27"	4.09"							
YAG38L-2NT38-LD	1			3/8"	1"	1.63"	1.45"	.27"	4.40"							
YAG38L-2TC38-LD	1			3/8"	1"	1.82"	1.45"	.27"	4.28"							
YAG38L-2TC12-LD	1			1/2"	1-1/4"	1.82"	1.45"	.27"	4.72"							
YAG38L-2NTC-LD	1	1/2"	1-3/4"	1.82"	1.45"	.27"	5.28"									
YAG39L-2NTC-LD	1	600 kcmil	—	1/2"	1-3/4"	1.90"	1.19"	.27"	5.29"							
YAG40L-2TC38-LD	1	646 kcmil 1600/24	400	3/8"	1"	1.98"	1.42"	.30"	4.33"							
YAG40L-2NNT-LD	1			1/2"	1-3/4"	1.63"	1.42"	.30"	5.43"							
YAG40L-2NTC-LD	1	1/2"	1-3/4"	1.98"	1.42"	.30"	5.43"									
YAG44L-2TC38-LD	1	777.7 kcmil 1925/24 750 kcmil CLASS I	500	3/8"	1"	2.18"	1.65"	.33"	4.80"							
YAG44L-2TC12-LD	1			1/2"	1-1/4"	2.18"	1.65"	.33"	5.11"							
YAG44L-2TC12E3-LD	1			1/2"	1-1/2"	2.18"	1.65"	.33"	5.36"							
YAG44L-2NTC-LD	1			1/2"	1-3/4"	2.18"	1.65"	.33"	5.80"							
YAG44L-2TC58-LD	1	5/8"	1-1/2"	2.18"	1.65"	.33"	5.61"									

* Use PUADP-1 adapter with U dies in Y46 HYPRESS™.
*** The MM² conductor sizes listed are the recommendations for Class 5 conductor.

◆ For applications greater than 2000 Volts consult cable manufacturer for voltage stress relief instructions.

Note: All dimensions shown are for reference only.